

## Real Time (Clock Module)

### 1. Overview:

In this lesson, you will learn how to use the DS1302, clock module that displays the year, month, day, hour, minute, second and week. Support is via a backup battery trickle charger, which can be used unless being connected to UNO with only three data cables.

### 2. Component Required:

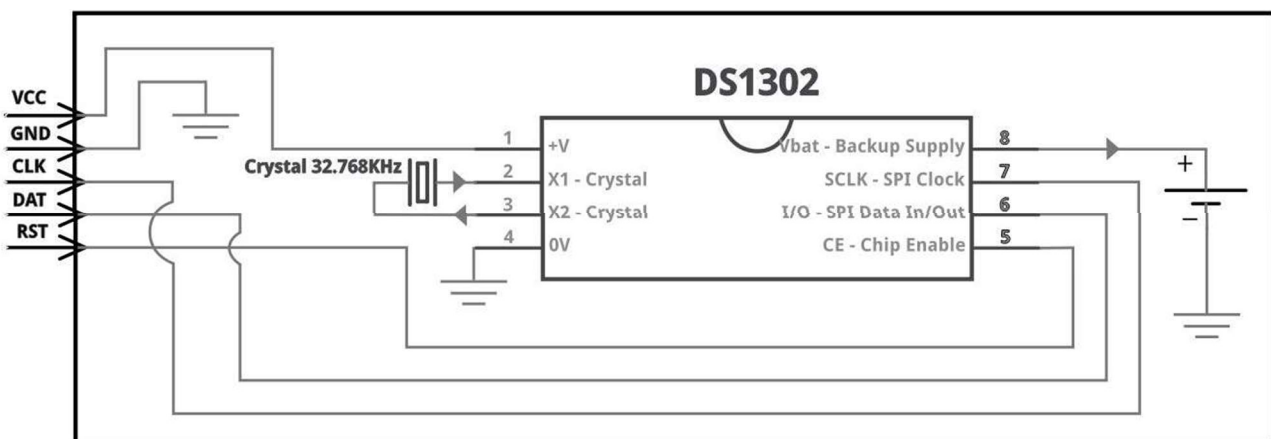
- (1)x Uno R3
- (1) x DS1302 RTC module
- (4) x F-M wires (Female to Male DuPont wires)



### 3. Component Introduction:

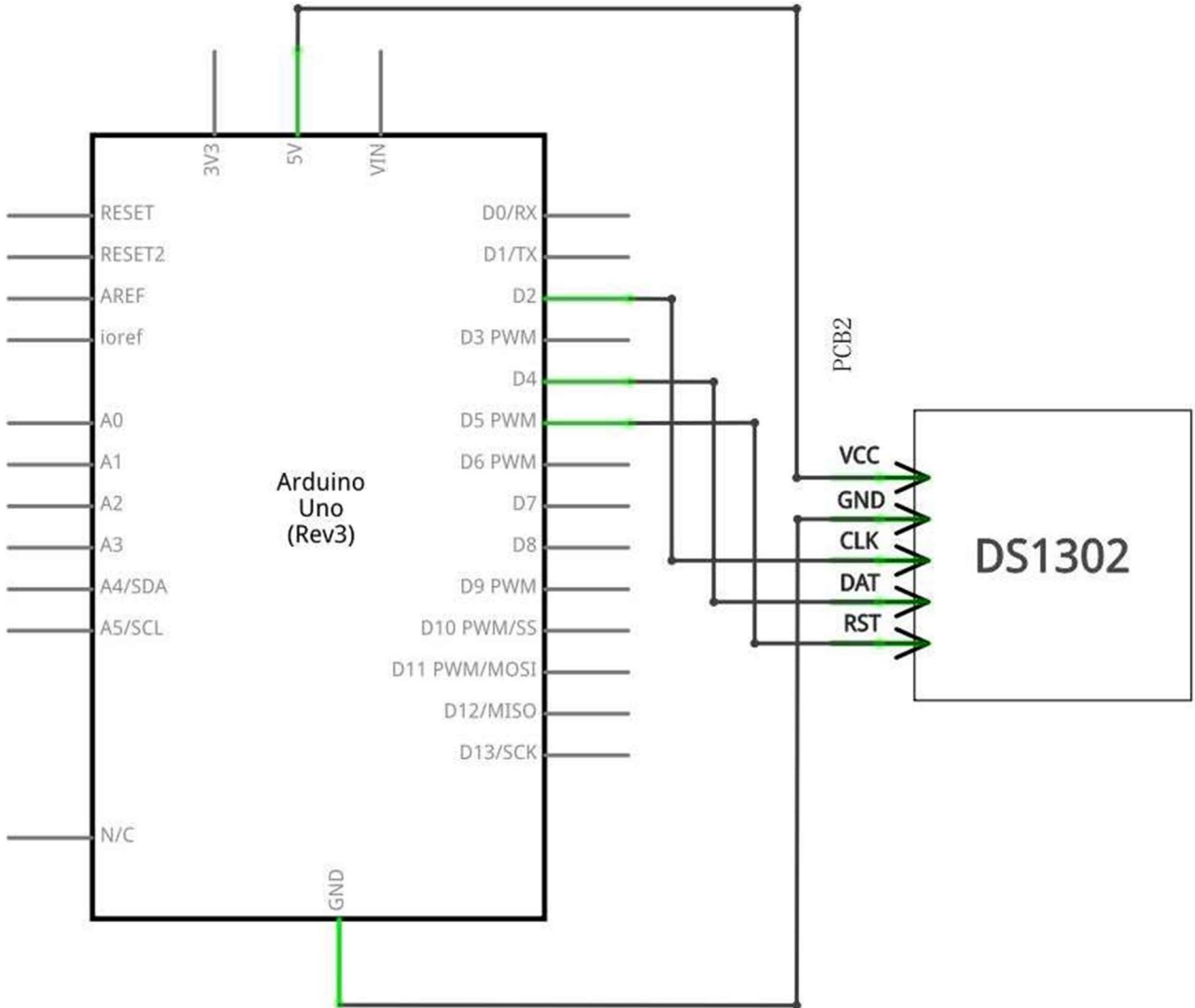
- **DS1302**

The DS1302 is a simple time-keeping chip. It has an integrated battery, so the clock can continue keeping time even when unplugged.



4. Connection:

- Schematic





## 5. Wiring Diagram:

Set up according to the following image. Ignore the 32K and SQW pins; you will not need them. Plug the SCL pin into your UNO R3 board SCL port, and the SDA pin into the SDA port. The VCC pin plugs into the 5V port, and the GND plugs into the GND port.